

Order !

VeryWonky

To:

CB Industries
Felix Schaffner
Gewerbstrasse 13
4512 Bellach

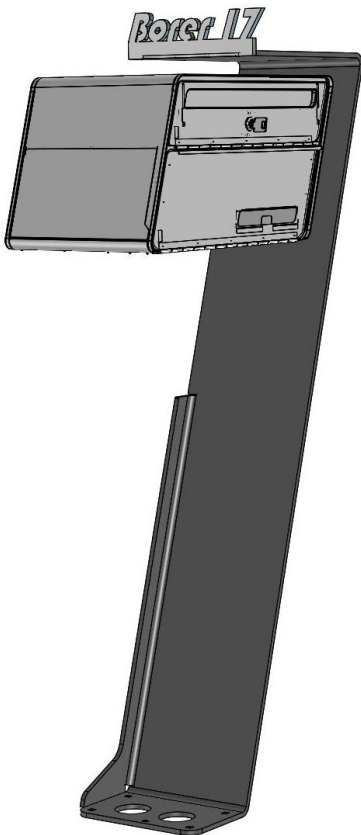
FAX Nr: +41 (0) 32 623 72 73

Order:

Please enter quantity: *double click opens Exel Sheet

Anzahl	Objekt	Preis CHF	Total
1	Mailbox „ Very Wonky“	1'700.00	1'700.00
1	My Name	300.00	300.00
1	Delivery	on demand	
	Totally		2'000.00

Underline sample or better: delete the one you do not want.



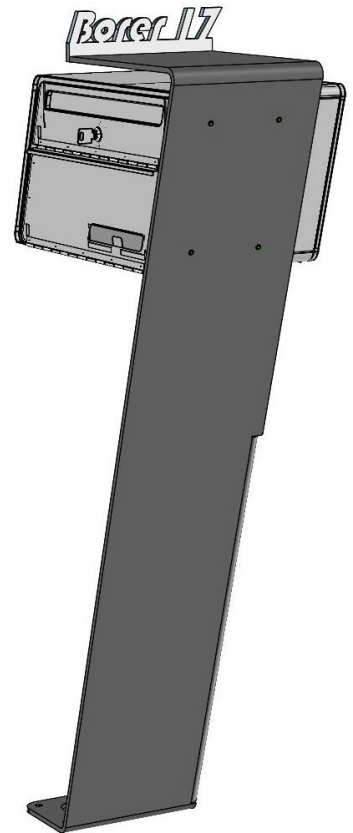
Your Name:

We need to know from which side your name needs to be readable. From this side I want to read my name:

Name:

- Lenght equal
- Lenght overlong (more than 9 letters)

Overlong:



Block Letters:

Payment

- Check
- Payment in advance

Date:

Sign:

Name to cut:

Name, Prenom

Street:

Zip / Town:

Country:

Tel / Fax:

Email: